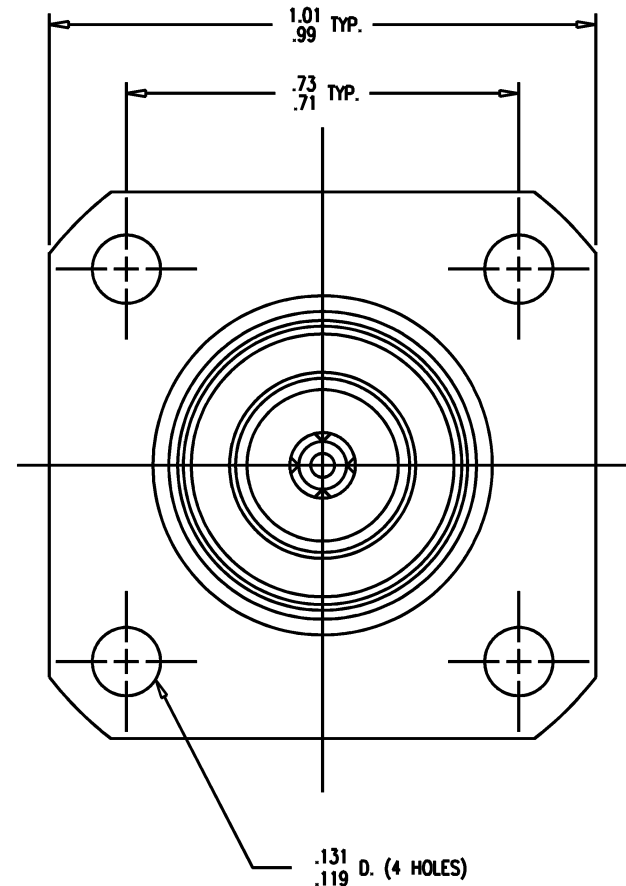
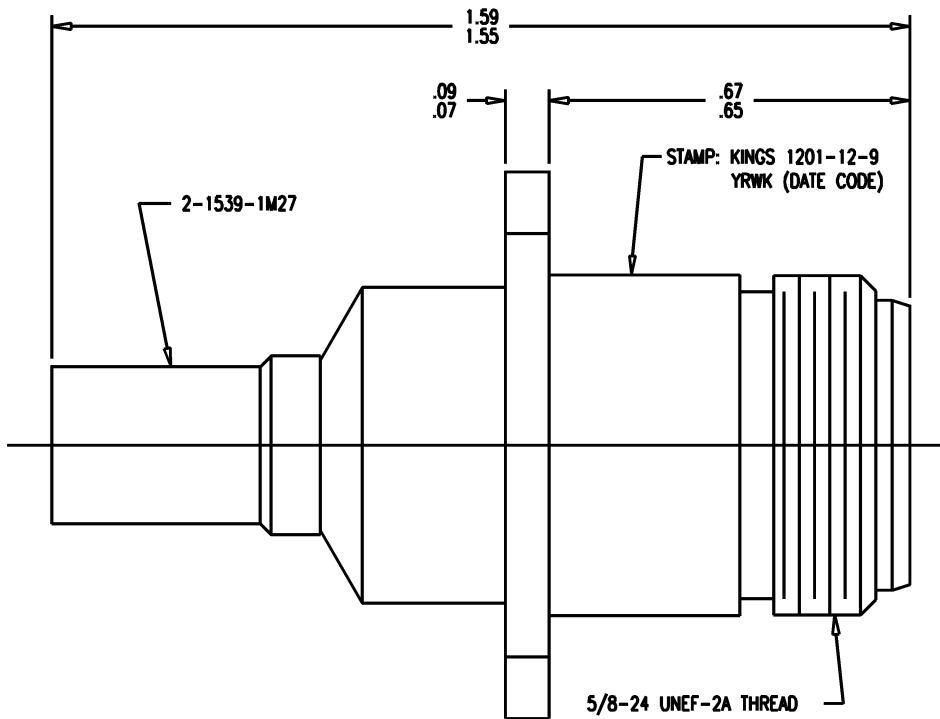


SD



1201-12-9

REVISIONS

ISSUE	CHANGES
0	ER 33873 KH 04/14/92
1	CN 37437 A VLS 09/09/98

KAM1907

SCALE 4:1

APPROX SURFACE AREA

WAS: E-17395

USED ON

REF: BOEING

JACK, PANEL, N

DRAWN KH DATE 04/14/92

DESIGN JT DATE 04/15/92

APPR. DATE

KINGS
ELECTRONICS CO., INC.
TUCKAHOE, NEW YORK 10707

1201-12-9

SD

NOTES:

- FOR USE WITH BOEING S280W503-2 & ADAMS RUSSELL FC14Z CABLES.
- FOR CABLING INSTRUCTIONS SEE 3-546-2.
- FOR CRIMPING USE DIE KTH-2211.
- INTERFACE PER MIL-STD-348, FIG. 304-2.
- FOR USE WITH .22 MAX PANEL.
- CENTER CONTACT (1-534-89MA9) SUPPLIED UNASSEMBLED.
- MARK PACKAGE: KINGS 1201-12-9
YRWK (DATE CODE)
- MATERIALS:
INSULATOR: TEFLON, ASTM-D-1457
K-GRIP SLEEVE: COM. BRONZE TUBE, ALLOY 220
CENTER CONTACT: BER. COP., ASTM-B-196
ALL OTHER PARTS: BRASS, ASTM-B16
- FINISHES:
CENTER CONTACT: GOLD PLATE PER MIL-45204
ALL OTHER METAL PARTS: KINGS TARNISH RESISTANT FINISH (TR-5)
- ELECTRICAL CHARACTERISTICS:
NOMINAL IMPEDANCE: 50 OHMS
VOLTAGE RATING: 1000 VRMS
FREQUENCY RANGE: DC TO 11 GHz